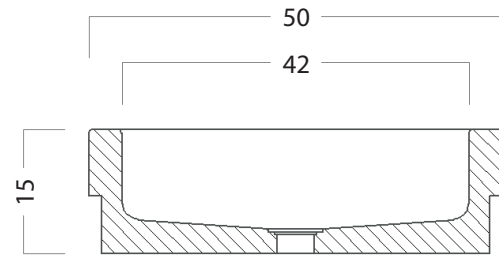
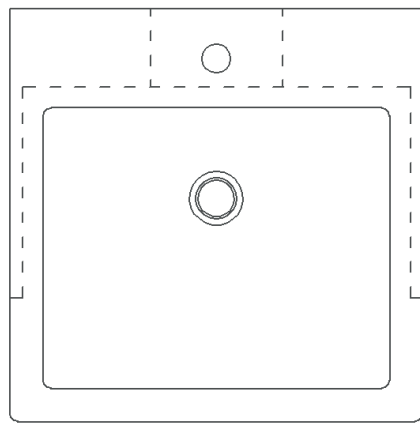


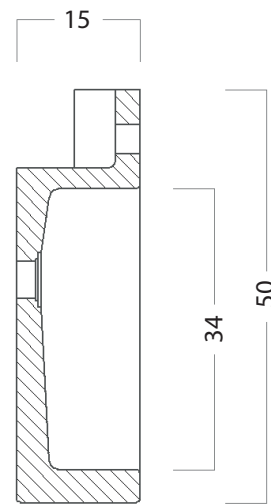
SECTION



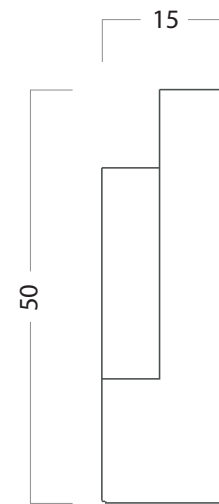
PLAN VIEW



SECTION



LATERAL VIEW



PERSPECTIVE VIEW

