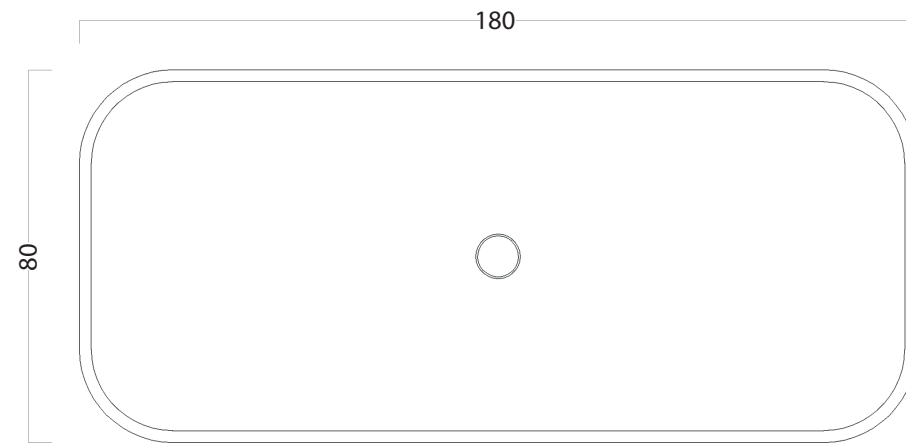


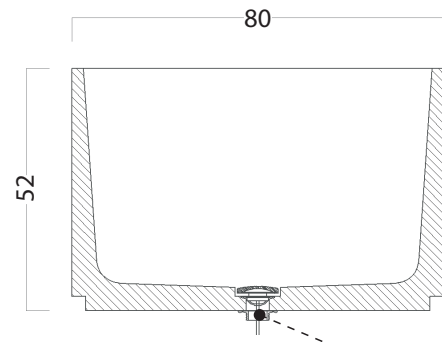
PLAN VIEW



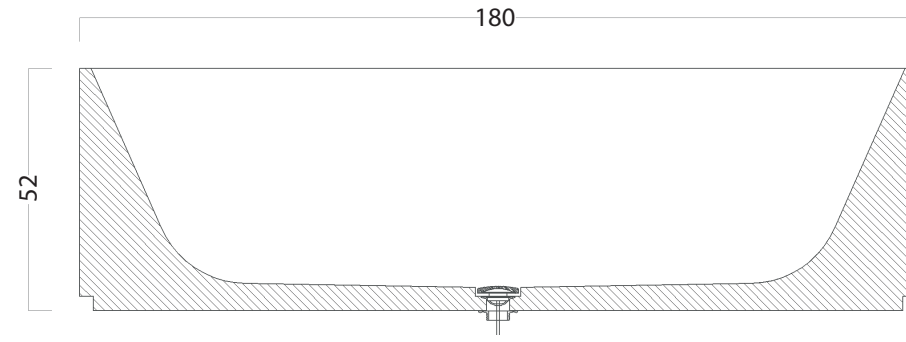
PERSPECTIVE VIEW



SECTION



SECTION



PIPE WITH
STONE PLUG ●