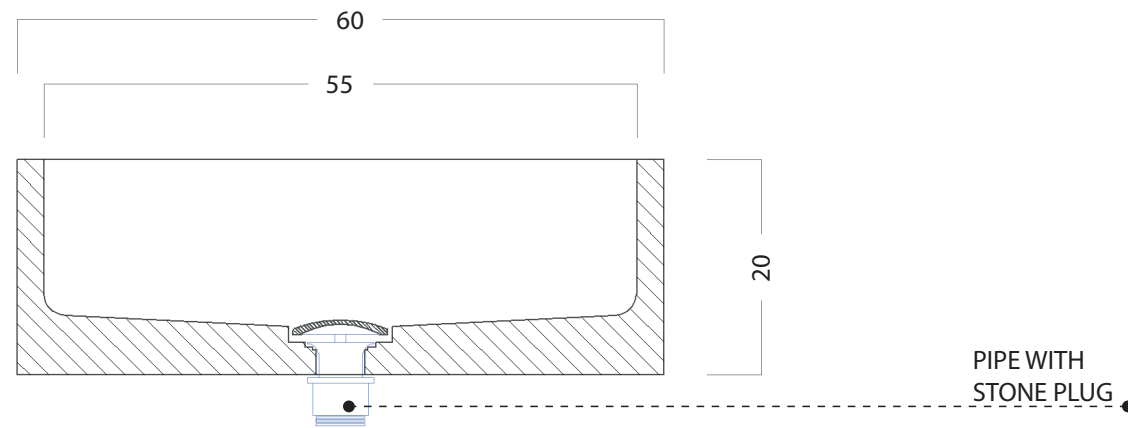
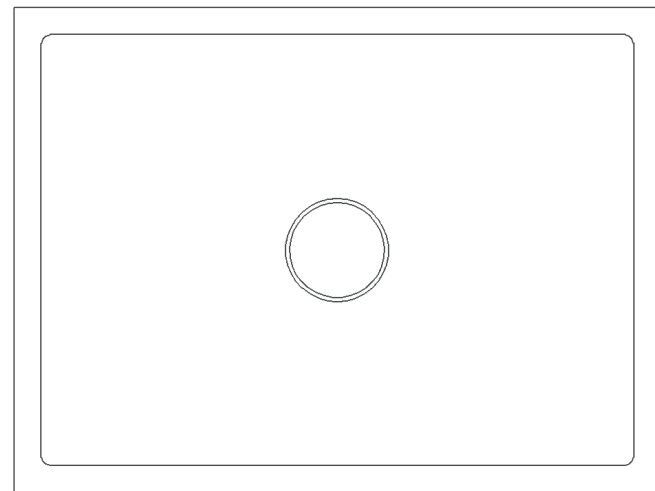


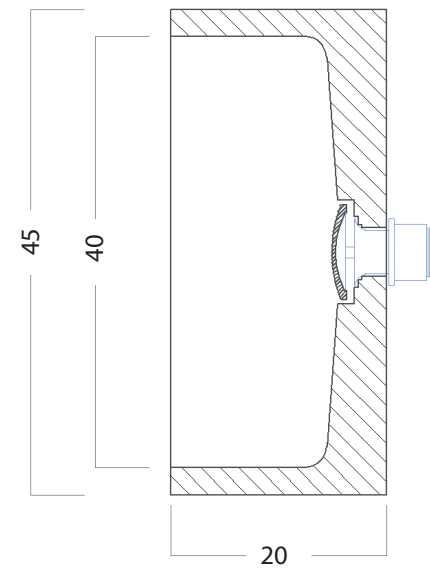
SECTION



PLAN VIEW



SECTION



PERSPECTIVE VIEW

